

# LensLevel

A solution that will help improve the traditional water level measurement with a real-time alert function and a high-precision level measurement system via a camera with Image Processing technology. It processes and stores data via a Mini Industrial PC, suitable for surveillance, warning, and monitoring.



## Key Features

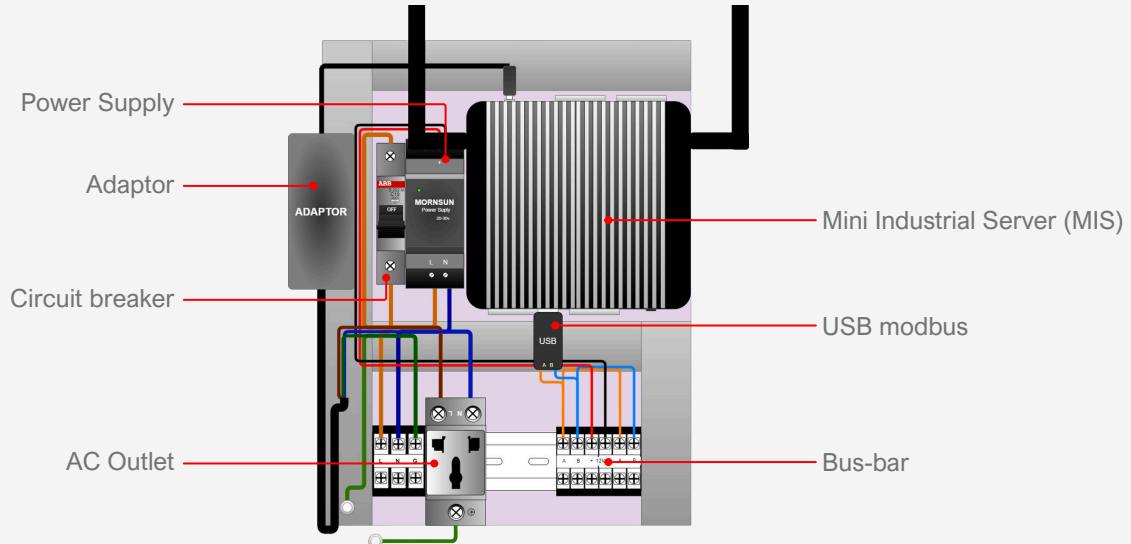
- 
**Easy to Install and Use**  
 LensLevel is a Zero Touch and Plug-and-Play product.
- 
**Efficiency**  
 High accuracy and real-time by applying image processing technology.
- 
**Operation**  
 Consumes low power and generates low heat, allowing continuous operation when working 24/7.
- 
**User-Friendly Interface**  
 Features an easy-to-understand dashboard, notification system, reporting, and historical data tracking, available in the Thai language.
- 
**Local Data Storage**  
 Capable of storing data locally without need for cloud storage and Increase data security.
- 
**Linux Operating System**  
 Runs on Linux Ubuntu 20.04.
- 
**Durable and Strong**  
 Enclosure is a steel cabinet with a cover and roof, offering protection against dust and water.
- 
**Supports**  
 Works with both Modbus TCP and Modbus RTU (RS485, RS232) protocols, can connect to WiFi, and has a LAN port and SIM slot for connecting to the internet

## Mini Industrial Server (MIS) Features

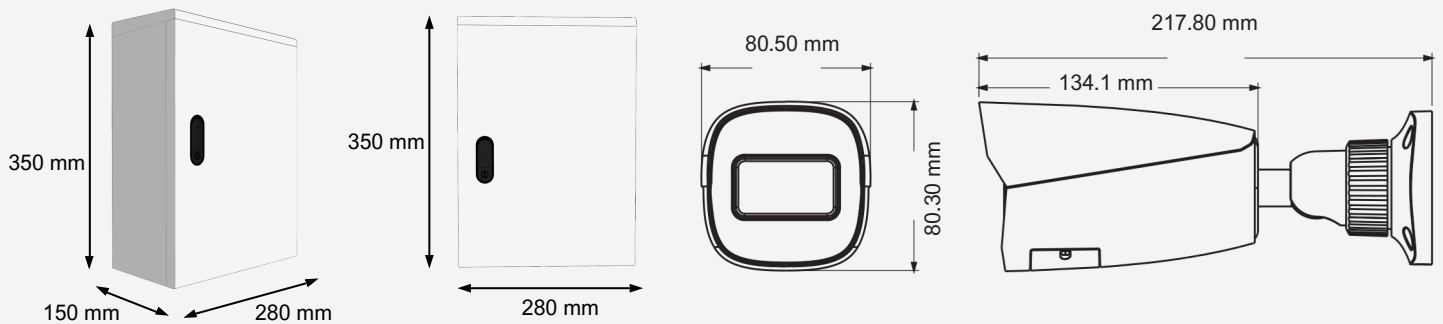
-  2X GbE LAN
-  RS232/RS485
-  GPIO 10P
-  8x USB
-  DDR4 RAM
-  M.2 SSD
-  2x HDMI  
1x LVDS
-  4G  
mini PCI-E expansion
-  12V-19V wide voltage

# Overview

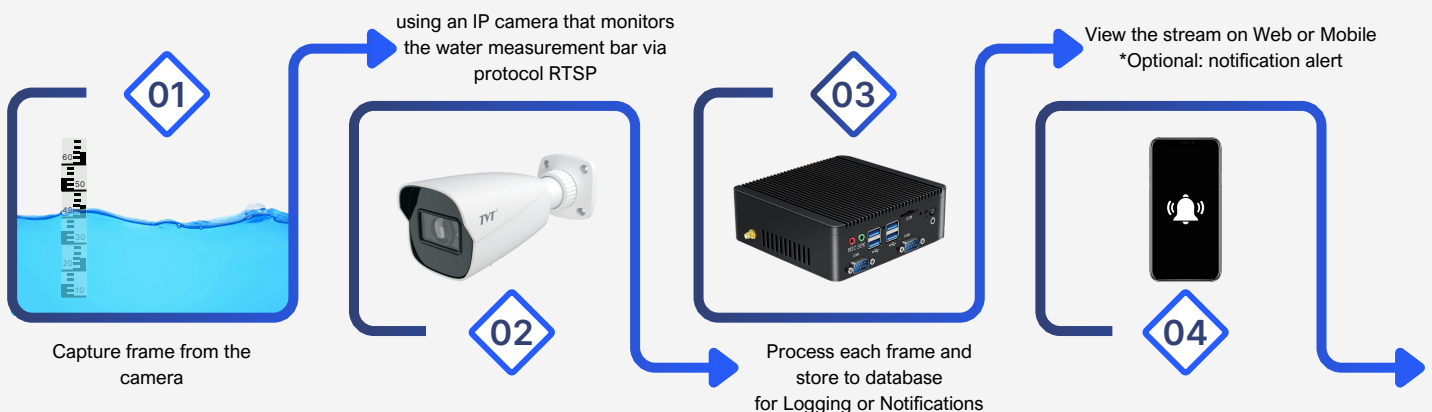
## Accessories



## Dimension



## Process diagram



# Product Description

## SPECIFICATIONS : CAMERA

Image Sensor	1 / 2.8" CMOS	
Image Size	1920 × 1080	
Electronic Shutter	1 s ~ 1 / 100000 s	
Iris Type	Fixed Iris	
Min. Illumination	0.0035 lux@F1.2,AGC ON; 0 lux with IR 0.009 lux@F1.6,AGC ON; 0 lux with IR	
Lens	2.8 mm @F1.6, H.FoV: 103.7°, V.FoV:55.1°, D.FoV:124° 3.6 mm @F1.6, H.FoV: 86.1°, V.FoV:43.7°, D.FoV:103°	2.8~12mm@F1.4, H.FoV: 93.5-31.9°; V. FoV: 49-18.4°; D. FoV: 112-35°
Focus	Fixed	Manual
Lens Mount	M12	Ø14
BLC	Yes	
HLC	Yes	
Digital NR	3D DNR	
Angle Adjustment	Pan: 0°~360°; Tilt:0°~90°; Rotation: 0°~360°	
<b>Image</b>		
Video Compression	H.265 / H.264	
H.265 Compression Standard	Main Profile@Leve4.1 High Tier	
Resolution	1080P ( 1920 × 1080 ), 720P ( 1280 × 720 ), D1, CIF, 480 × 240	
Main Stream	60Hz : 1080P( 1 ~ 30fps ) / 720P( 1 ~ 30fps ) 50Hz : 1080P( 1 ~ 25fps ) / 720P( 1 ~ 25fps )	
Sub Stream	60Hz : D1/CIF (1~30fps); 50HZ: D1/CIF (1~25fps)	
Third Stream	60Hz : D1/CIF/480×240 (1~30fps); 50HZ: D1/CIF/480×240 (1~25fps)	
Audio Compression	G711A / U	
ROI	Each ROI to be configured separately	
<b>Interfaces</b>		
Network	RJ 45	
Audio	1CH audio input	
Reset	Yes	

# Product Description

<b>Funcions</b>	
Remote Monitoring	Web browsing
Online Connection	Support simultaneous monitoring for up to 3 users; Support multi-stream real time transmission
Remote Monitoring	Web browsing
Network Protocol	RTSP
Storage	Network remote storage
Smart Alarm	Motion detection
Ingress Protection	Network remote storage
Storage	IP 67
Power Supply	DC12V / PoE
Power Consumption	< 7W
Operating Environment	- 30 °C ~ 60 °C (-22 °F~140°F) Humidity: less than 95 % (non condensing)
Dimensions ( mm )	217.8 × 80.5 × 80.3
Weight ( net )	Approx. 0.65KG
Certificate	CE, FCC
Environmental Protection	Complies with Directive EU RoHS, WEEE(2012/19/EU) , directive 94/62/EC and REACH(EC1907/2006)
Mounted	Wall-mounted/Desktop
Chassis Material	Aluminum alloy
Operating Temperature	- 20°C - 60°C
Storage Temperature	-30°C - 70°C (15°C - 35°C recommended)
Relative Humidity	10%~90% @30°C,Relative humidity, No condensation
Dimension	136 x 126 x 46 mm
Bluetooth	Bluetooth 4.0
Case	Steel
IoT size box	H: 350 x W: 280 x D: 150 mm
Weight	5 kg